

# Commtech Trading Ltd

1<sup>st</sup> Floor, 223 Dalton Road, Barrow in Furness, Cumbria. LA14 1PQ  
Tel: 0870 609 2264 Fax: 01229 833 733 E-mail: sales@shinnthon.com

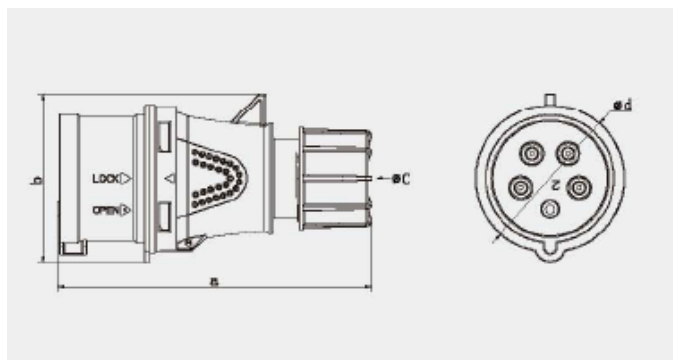
## Product Datasheet

### IS1034RQW

COUPLER 32A 240V 2P+E BLUE



#### Dimension:



a	167
b	95.5
c	22
d	66.5
Cable size(mm <sup>2</sup> )	2.5~6

#### Specification:

Number of Pole: 2P+E  
Rated Voltage: 220V~250V  
Rated Current: 32A  
IP-Class: 44  
Position of Earth Contact: 6H  
Color: Blue

#### Complies to:



#### Packaging

Box Qty: 60pcs/Carton

#### Approvals:



Issue Date: 01/03/2018

Revision: C