

Commtech Trading Ltd

Unit OA, Time Technology Park, Blackburn Road, Simonstone, Burnley, Lancs, BB12 7TY, UK
Tel: 01254 777 987 Fax: 01282 787 790 E-mail: sales@shinnthon.c

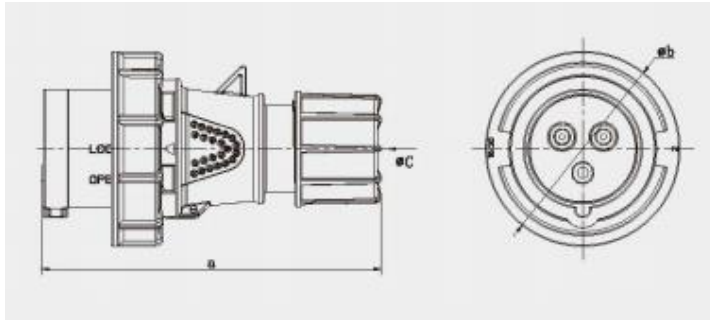
Product Datasheet

IS1026RQW

PLUG 16A 3P IP67 230V



Dimension:



a	124
b	71
c	15.5
Cable size(mm ²)	1~2.5

Specification:

Number of Pole: 2P+E

Rated Voltage: 220V~250V

Rated Current: 16A

IP-Class: 67

Position of Earth Contact: 6H

Color: Blue

Complies to:



Packaging

Box Qty: 60pcs/Carton

Approvals:



Issue Date: 01/03/2018

Revision: C