

# Commtech Trading Ltd

Unit OA, Time Technology Park, Blackburn Road, Simonstone, Burnley, Lancs, BB12 7TY, UK  
Tel: 01254 777 987 Fax: 01282 787 790 E-mail: sales@shinnthon.c

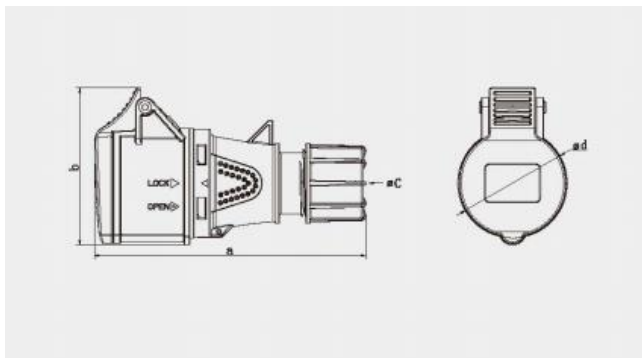
## Product Datasheet

### **IS1022RQW**

CONNECTOR 16A 4P IP44 400V



#### Dimension:



a	143
b	82.6
c	15.5
d	57.6
Cable size(mm <sup>2</sup> )	1~2.5

#### Specification:

Number of Pole: 3P+E

Rated Voltage: 380V~415V

Rated Current: 16A

IP Class: 44

Position of Earth Contact: 6H

Color: Red

#### Complies to:



#### Packaging

Box Qty: 100pcs/Carton

#### Approvals:



Issue Date: 01/03/2018

Revision: C