

# Commtech Trading Ltd

Unit OA, Time Technology Park, Blackburn Road, Simonstone, Burnley, Lancs, BB12 7TY, UK  
Tel: 01254 777 987 Fax: 01282 787 790 E-mail: sales@shinnthon.c

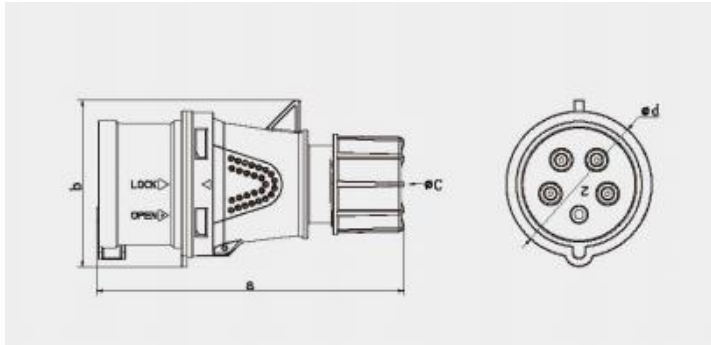
## Product Datasheet

### IS1021RQW

PLUG 16A 4P IP44 400V



#### Dimension:



a	133
b	65.5
c	15.5
d	58.5
Cable size(mm <sup>2</sup> )	1~2.5

#### Specification:

Number of Pole: 3P+E  
Rated Voltage: 380V~415V  
Rated Current: 16A  
IP Class: 44  
Position of Earth Contact: 6H  
Color: Red

#### Complies to:



#### Packaging

Box Qty: 100pcs/Carton

#### Approvals:



Issue Date: 01/03/2018

Revision: C

*Dimensions and images may differ from those shown*