

# Commtech Trading Ltd

1<sup>st</sup> Floor, 223 Dalton Road, Barrow in Furness, Cumbria. LA14 1PQ  
Tel: 0870 609 2264 Fax: 01229 833 733 E-mail: sales@shinnthon.com

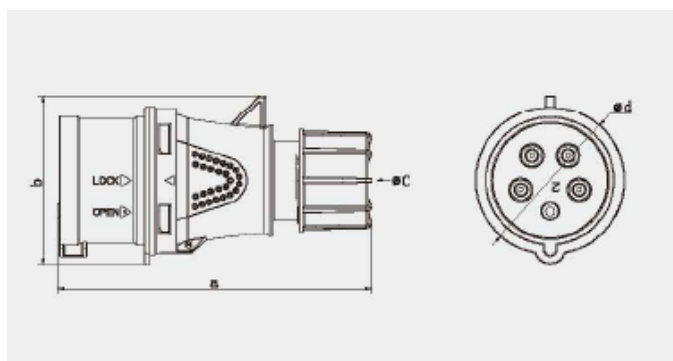
## Product Datasheet

### IS1015RQW

PLUG 16A 110V 2P+E YELLOW



#### Dimension:



a	124
b	58
c	15.5
d	51
Cable size(mm <sup>2</sup> )	1~2.5

#### Specification:

Number of Pole: 2P+E  
Rated Voltage: 110V~130V  
Rated Current: 16A  
IP-Class: 44  
Position of Earth Contact: 4H  
Color: Yellow

#### Complies to:



#### Packaging

Box Qty: 100pcs/Carton

#### Approvals:



Issue Date: 01/03/2018

Revision: C