

Commtech Trading Ltd

Unit OA, Time Technology Park, Blackburn Road, Simonstone, Burnley, Lancs, BB12 7TY, UK
Tel: 01254 777 987 Fax: 01282 787 790 E-mail: sales@shinnthon.com

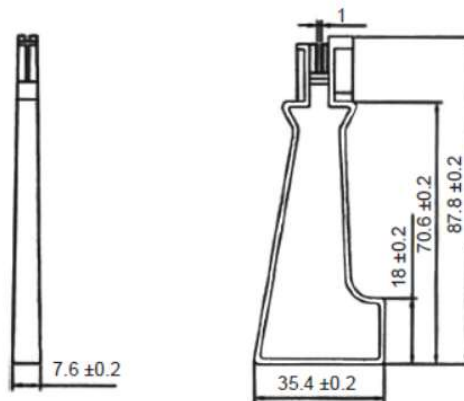
IDC Insertion Tool

Product Type: IDC Insertion Tool



Specifications:

- Designed for inserting cables into IDC sockets
- Manufactured from Polypropylene
- For Use With : IDC Sockets Tool
- Body Material : Polypropylene
- Cable Assembly Type : Telephone
- Colour : White



Dimensions : Millimetres

Complies to:

Approvals:



Issue Date: 24/04/2026

Revision: 1

Dimensions and images may differ from those shown